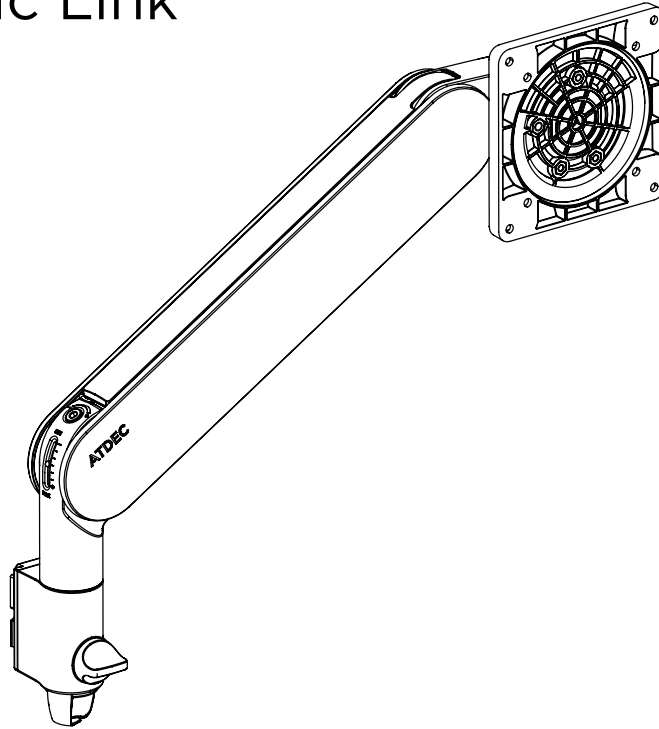


AWM Dynamic Link



FEATURES

- Dynamic monitor arm for curved or flat displays up to 38".
- Channel Clamp included to easily mount displays to posts in the AWM modular product family.
- Combine with compatible Post or Wall Channel to achieve desired vertical range (AWM-P13G; AWM-P40X; AWM-P40G; AWM-P75G).
- Effortless counterbalance adjustment with an easy-to-read gauge for fast bulk installations.
- Toolless display position and viewing angle control via tilt/pan/height.
- Adjustable landscape/portrait rotation tension, lockable for safety during installation.
- Integrated, toolless 180° arm rotation limiter to prevent interference with walls and workstation dividers.
- Contemporary styling to suit modern workplace interiors.
- Discreet cable management guides cables down the arm to the Post or Wall Channel.
- Supplied with dynamic arm, VESA Tilt Head, Channel Clamp. and display mounting fasteners.

Display weight	2-8kg* (4.4-17.6lb)
Display size	Up to 38" (Curved or Flat)
Display depth	Up to 140mm (5.5")
Tilt adjustment	+45° / -20°
Rotation adjustment	+/- 95°
Vertical adjustment	315mm (12.4") Dynamic
VESA mounting	75x75 100x100
Primary materials	Aluminium, Steel, Engineering Polymers

*Monitor weight should be within the weight range of all modular elements that make up the complete monitor mounting solution.

*Deep devices (such as all-in-one PCs) and offset VESA locations exert additional leverage that can exceed the capacity of the mount even though the monitor weight may be within the stated range. Please contact Atdec if you would like further information.

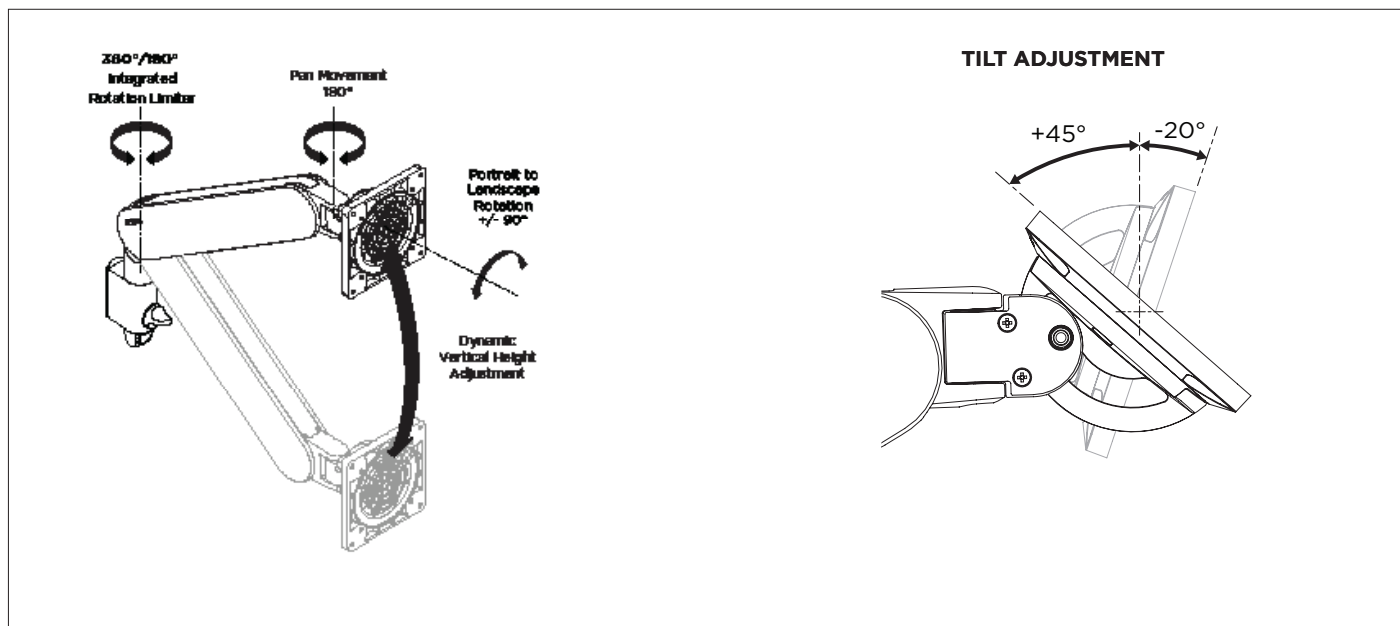
†A display must meet each of the weight, depth and size specifications to be compatible.

Please contact Atdec if you would like further information

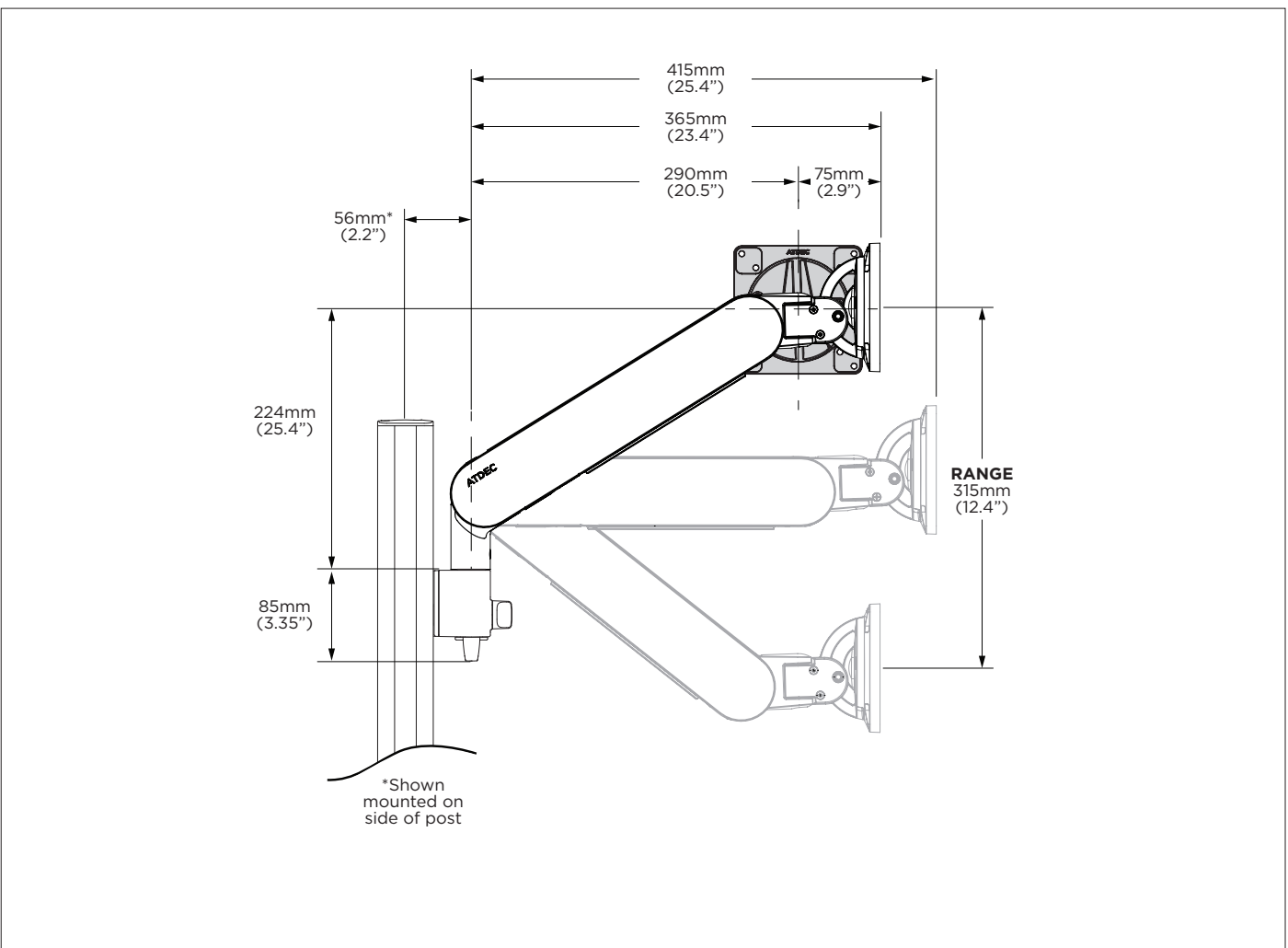
WARRANTY

10 years limited

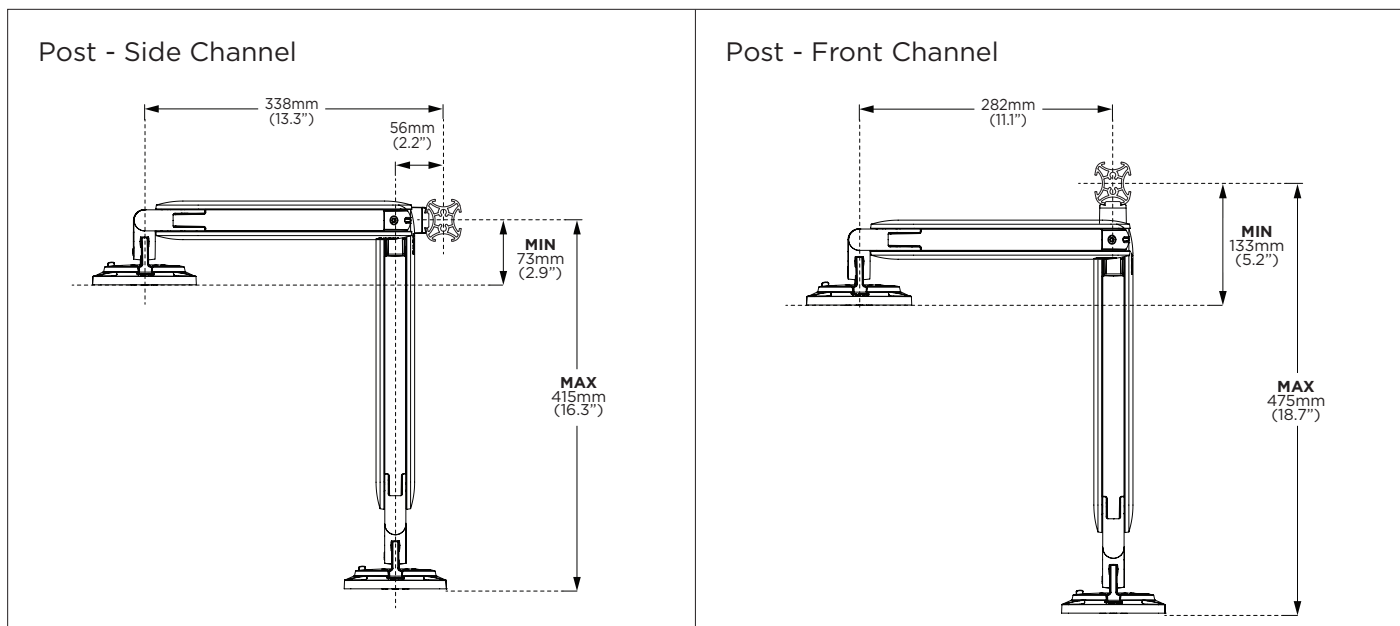
MOVEMENT DYNAMIC LINK



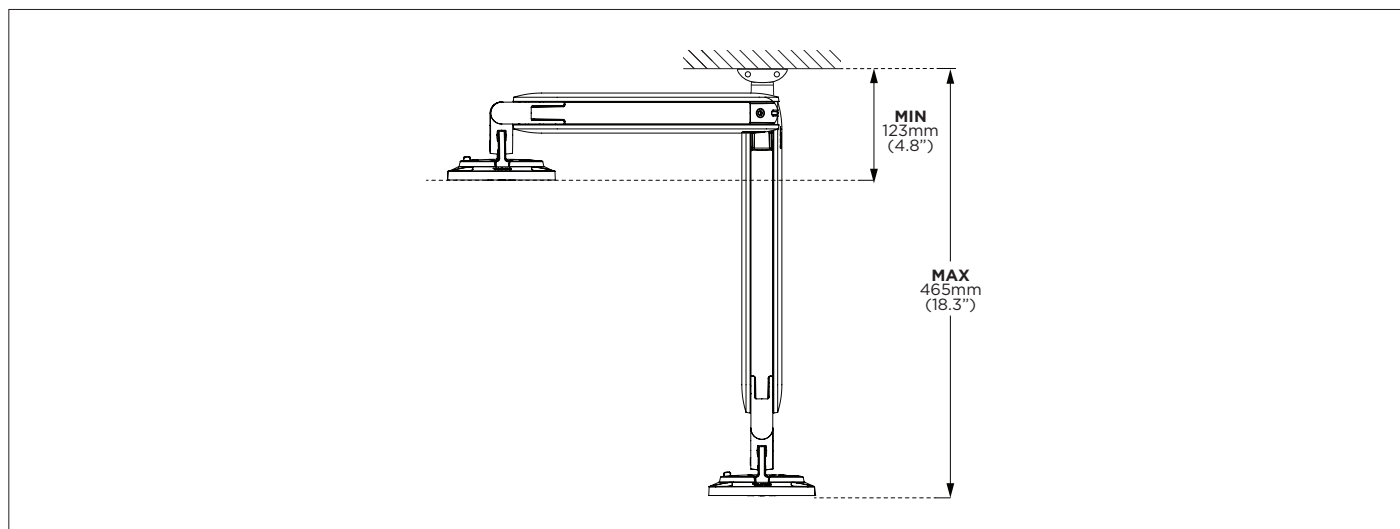
DIMENSIONS DYNAMIC LINK



DIMENSIONS DYNAMIC LINK ON POST



DIMENSIONS DYNAMIC LINK ON WALL CHANNEL



DIMENSIONS VESA HEAD

